



# TECHNIC

42044

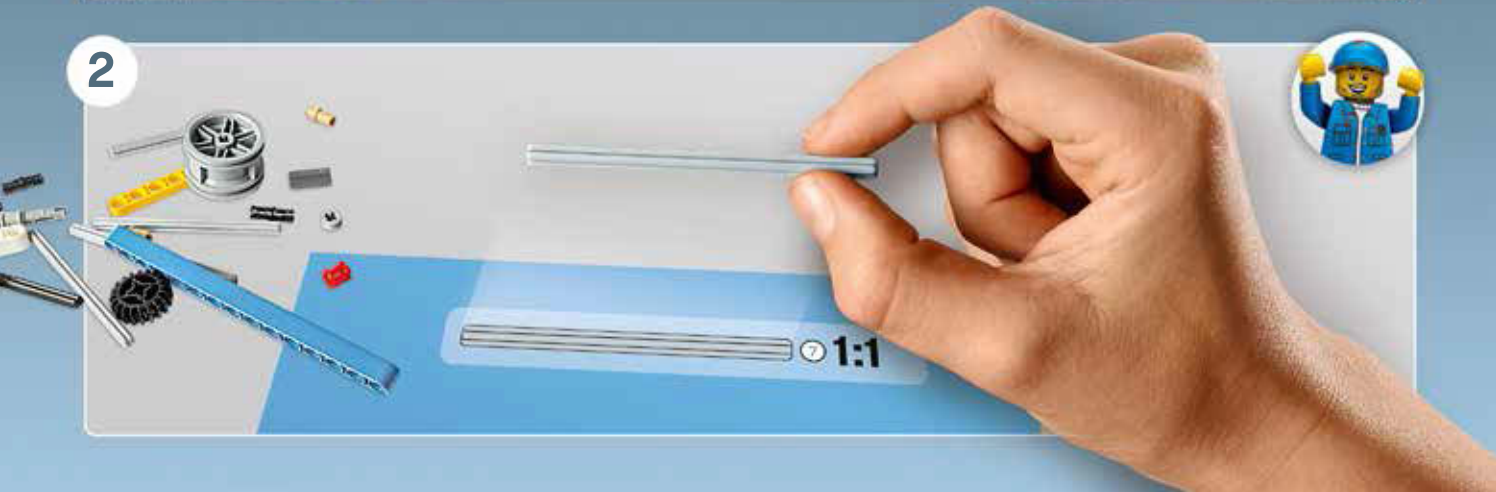


Инструкция ЛЕГО (Lego) 42044-1

1



2



1

LEGO.com/building-app



2



3



Google Play is a trademark of Google Inc.  
Google Play est une marque de commerce de Google Inc.  
Google Play es una marca comercial de Google Inc.

Apple, the Apple logo, iPad, iPhone and iPod touch are trademarks of Apple Inc.  
Apple, le logo Apple, iPad, iPhone et iPod touch sont des marques de commerce d'Apple Inc.  
Apple, el logotipo de Apple, iPad, iPhone e iPod touch son marcas comerciales de Apple Inc.

**LEGO** **TECHNIC**

LEGO®  
Building  
Instructions

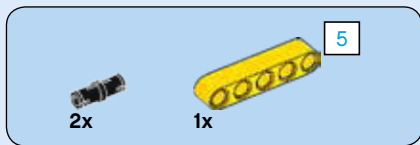
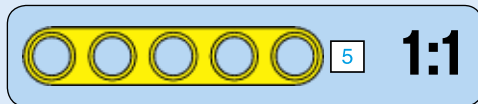


ANDROID APP ON  
Google play

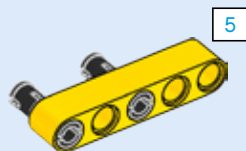
Download on the  
App Store



 [LEGO.com/technic](http://LEGO.com/technic)

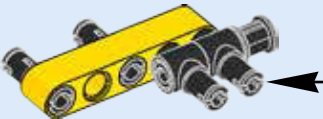
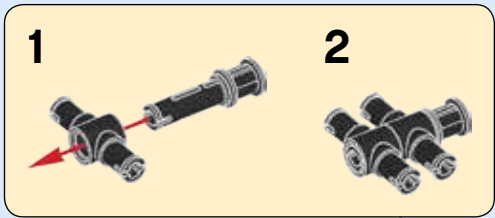


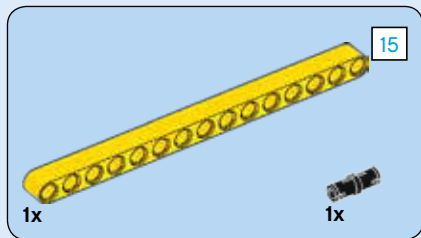
1



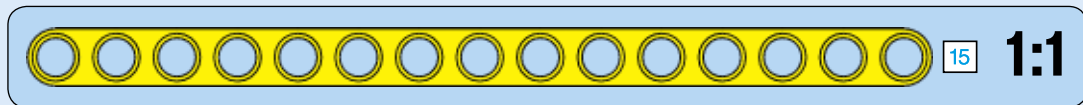
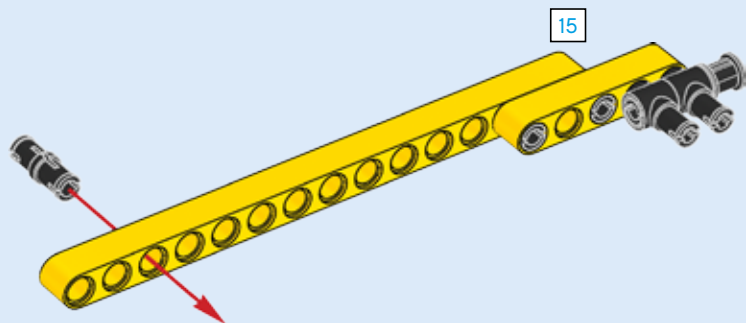


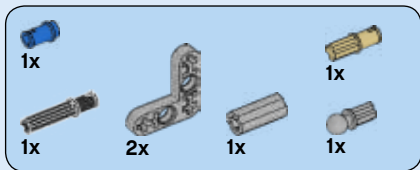
2



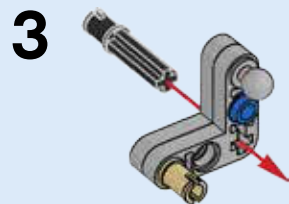
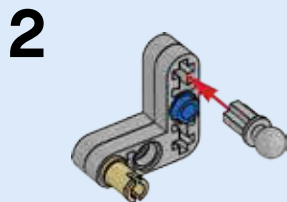
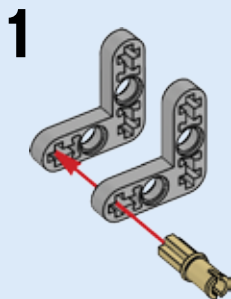


**3**

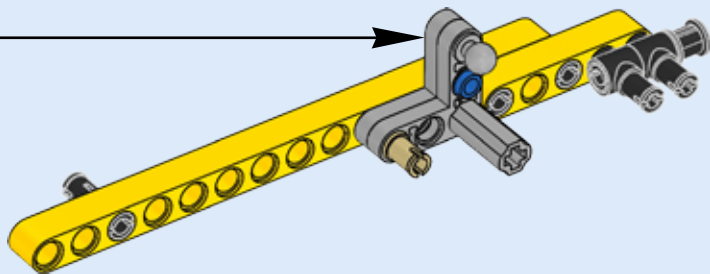
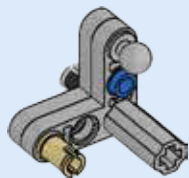




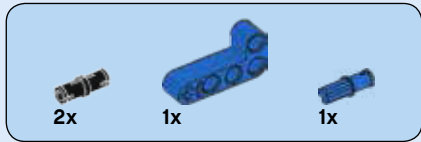
4



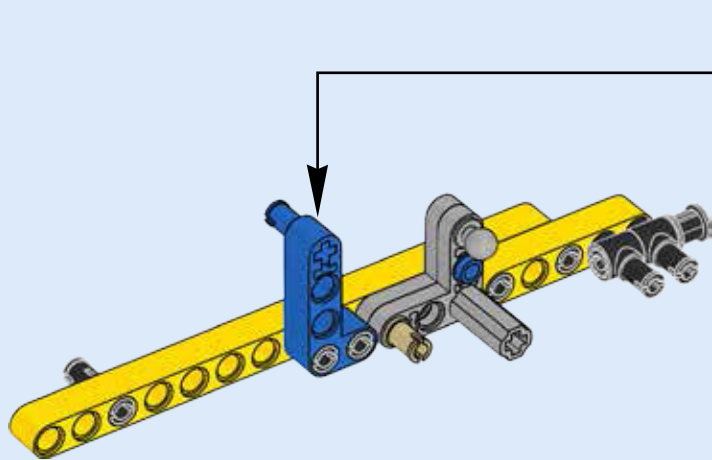
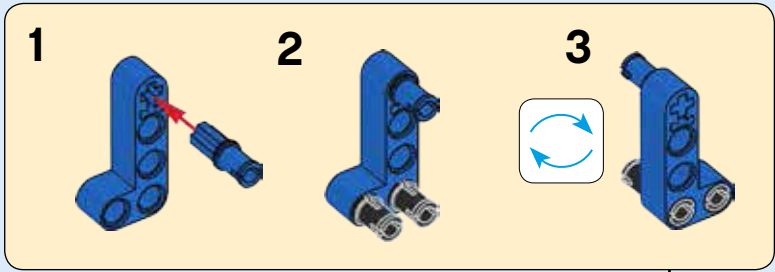
4

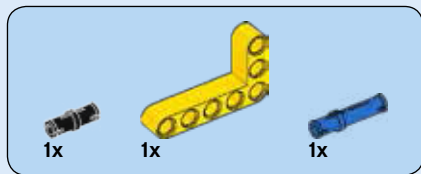




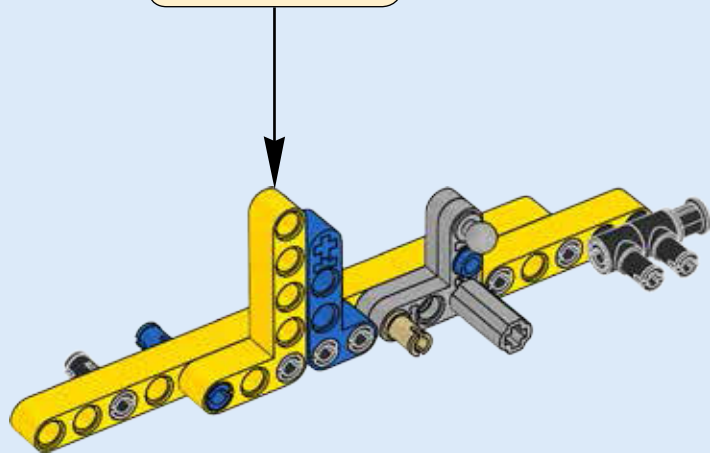
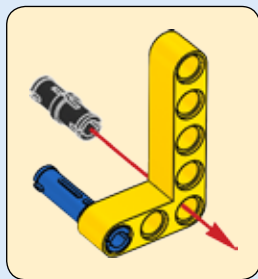


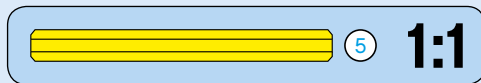
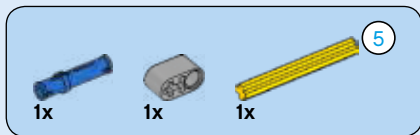
5



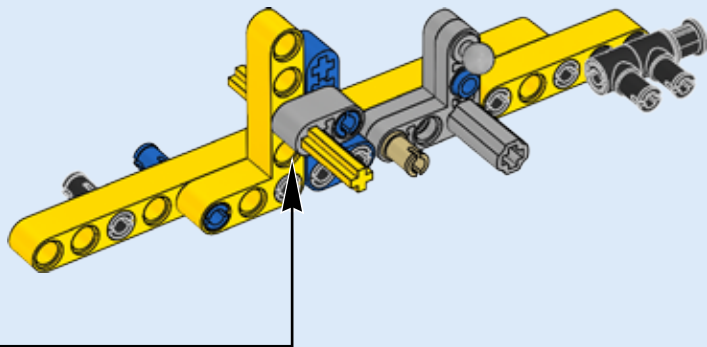
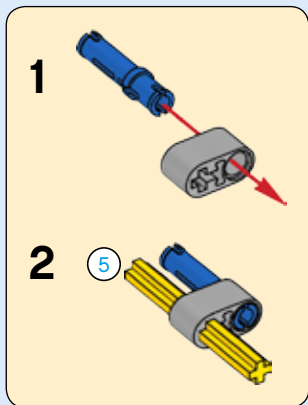


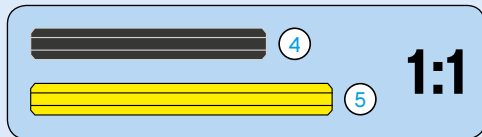
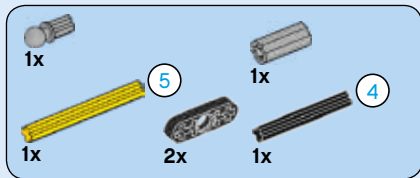
6



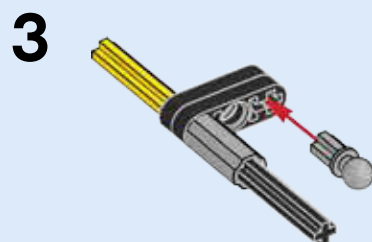
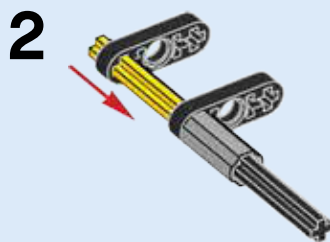
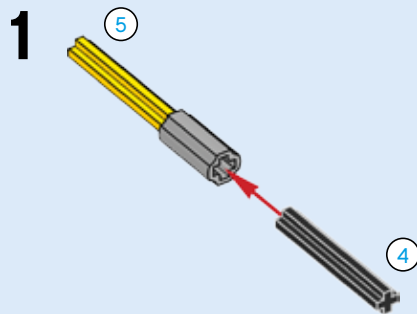


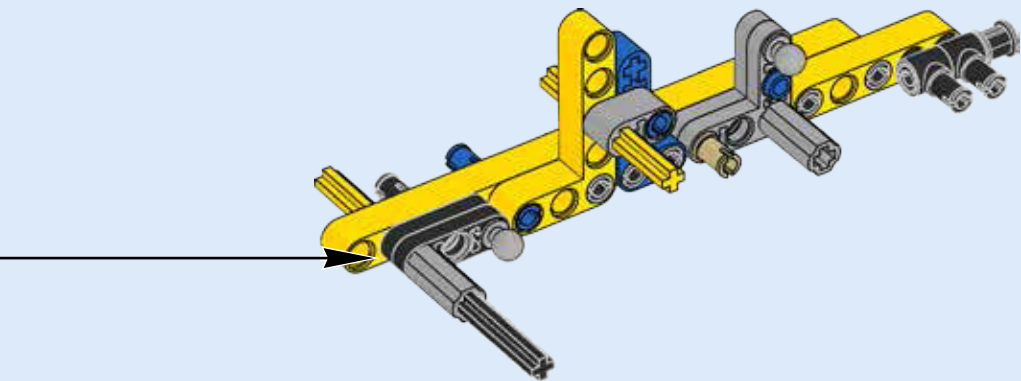
7

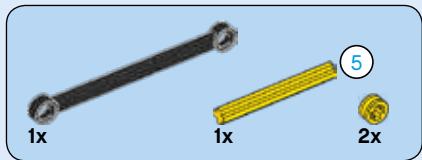




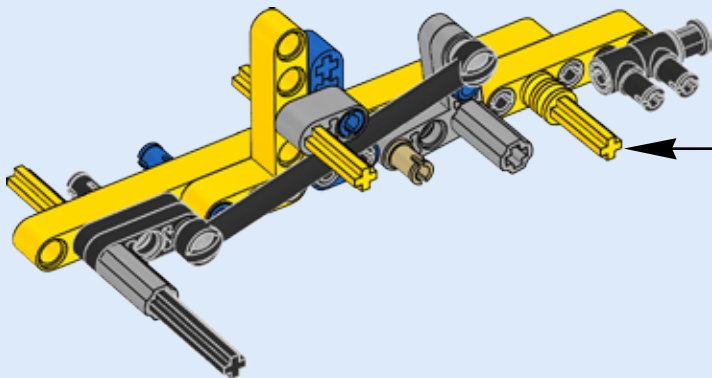
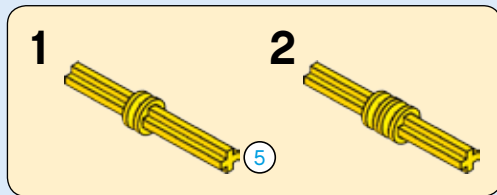
8

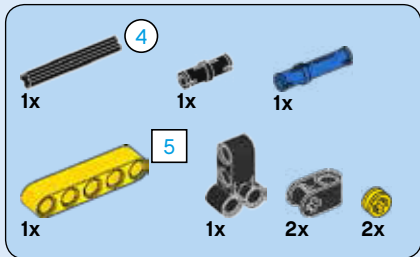
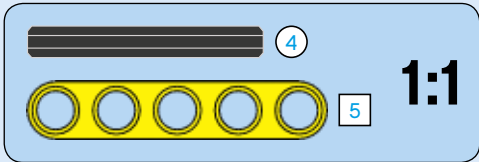






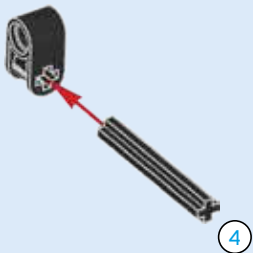
9





# 10

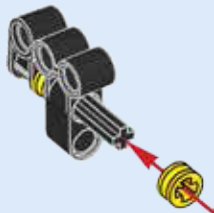
1



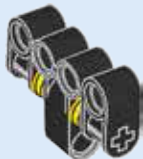
2



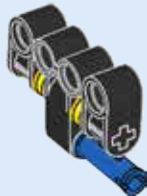
3



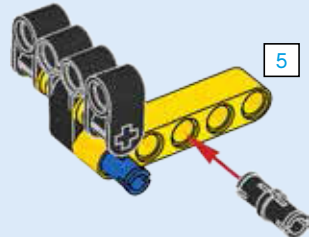
4



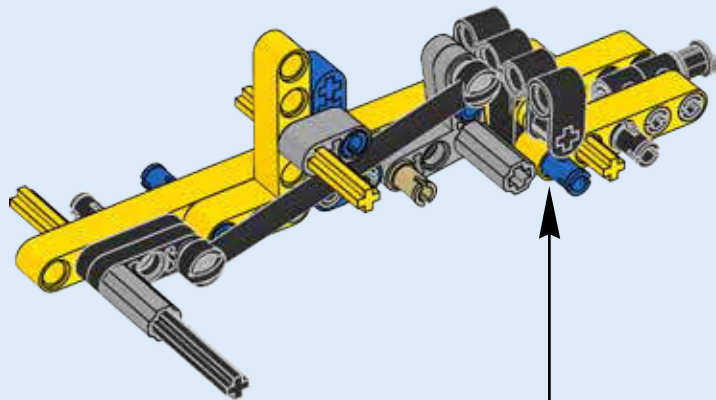
5

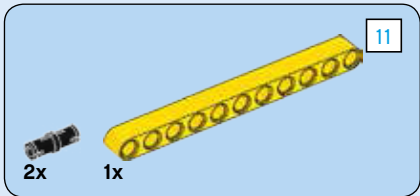
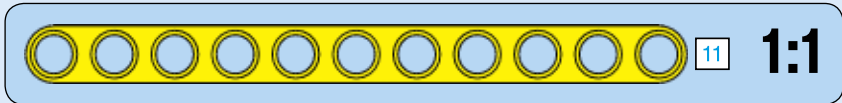


6

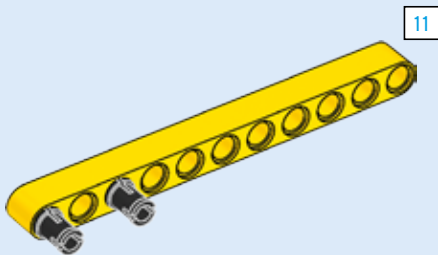








11



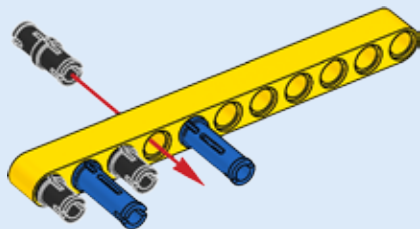


1x



2x

# 12

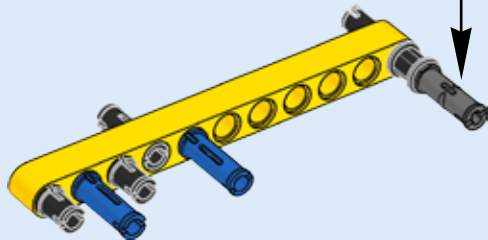


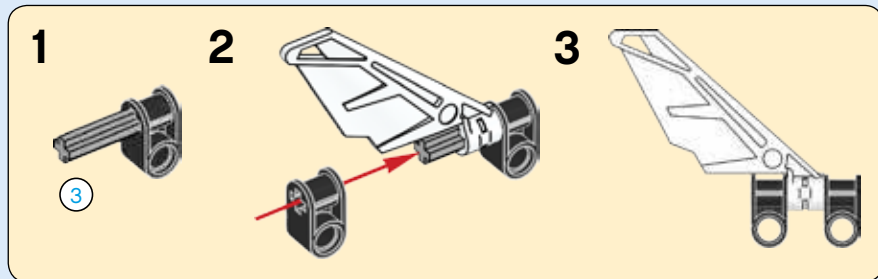
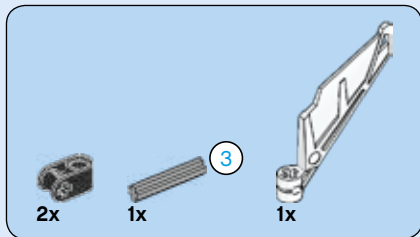
1x



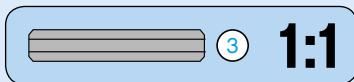
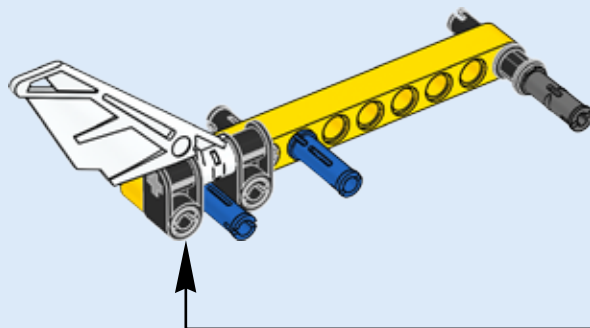
1x

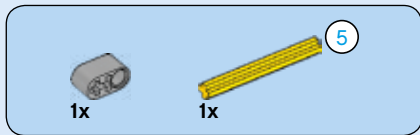
# 13



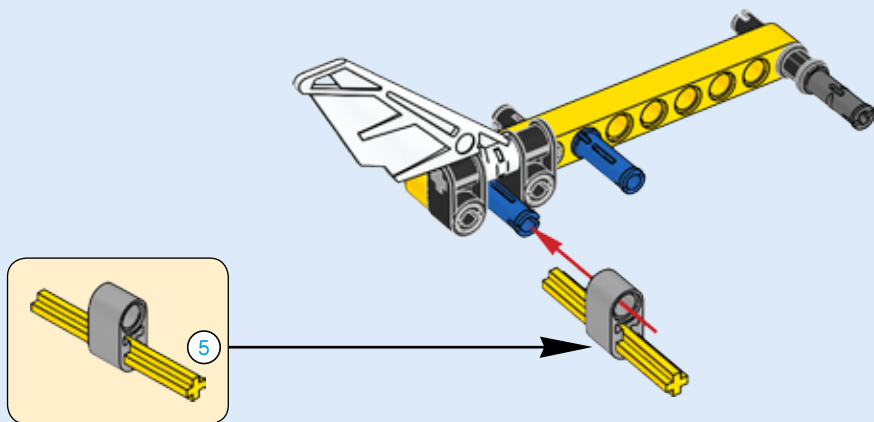


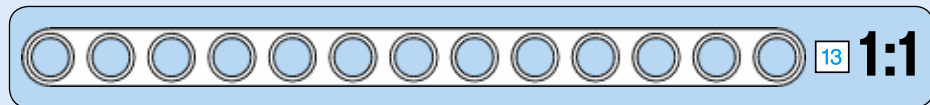
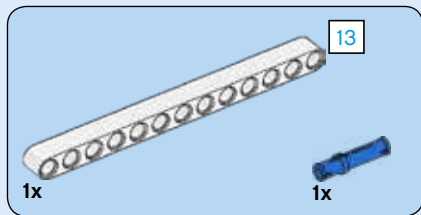
14



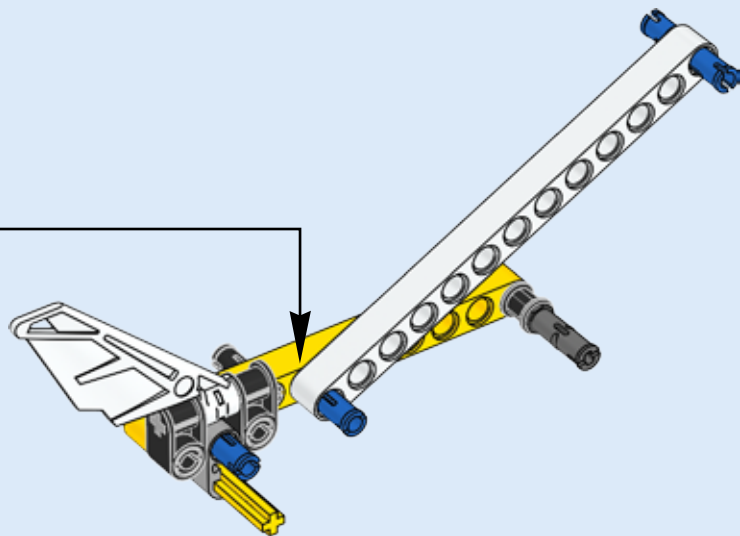
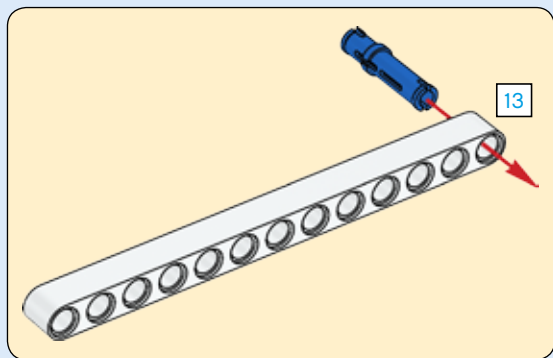


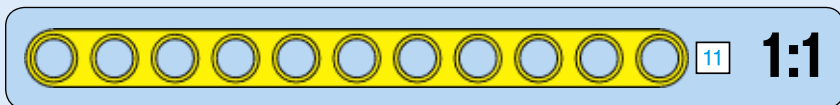
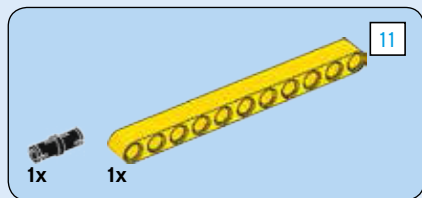
15



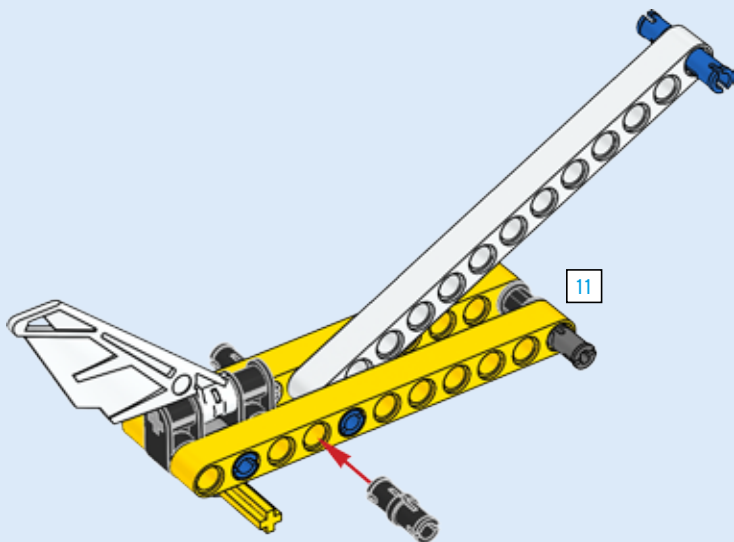


**16**

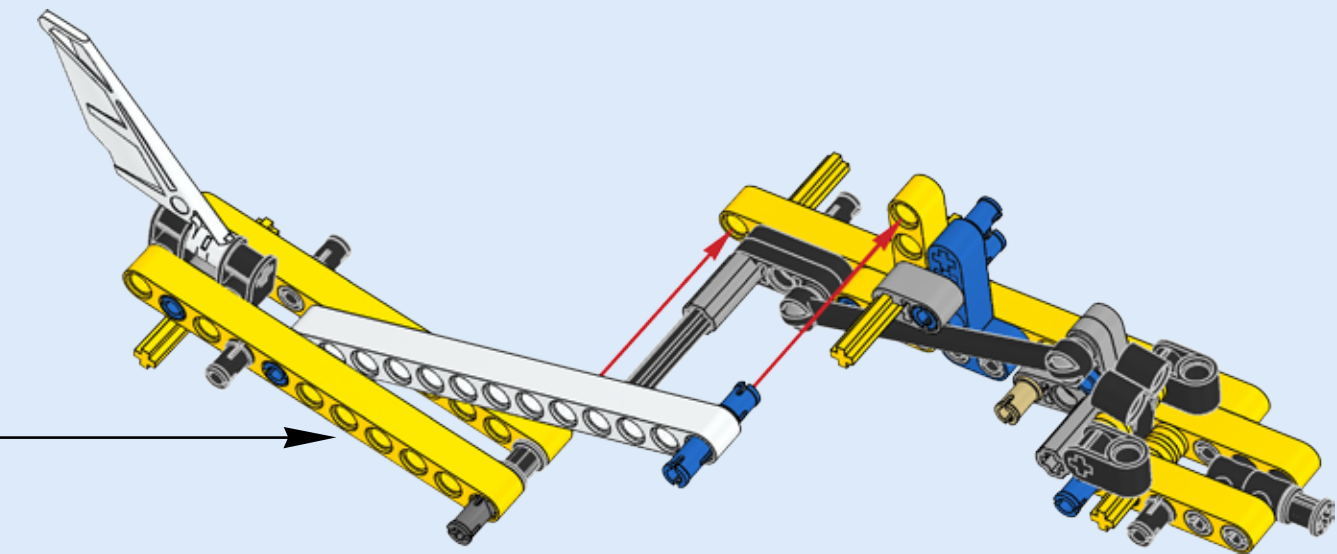




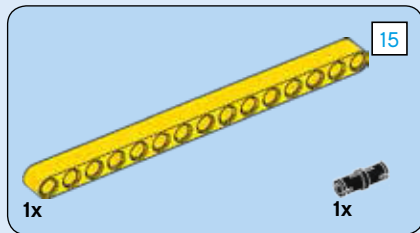
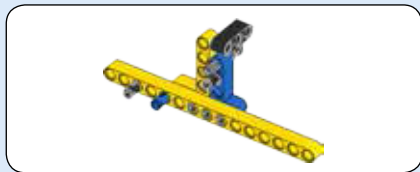
17



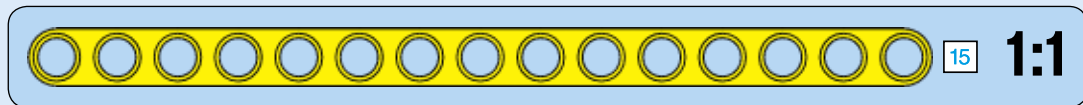
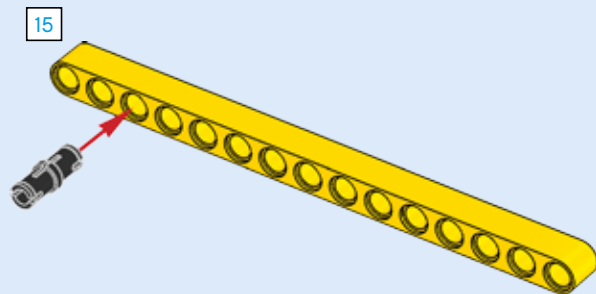
# 18

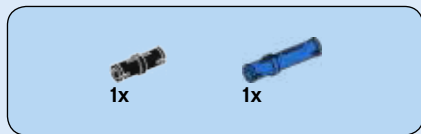




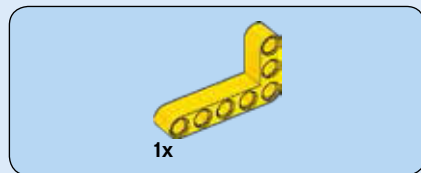
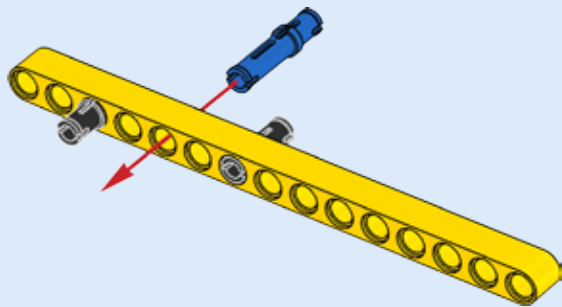


19

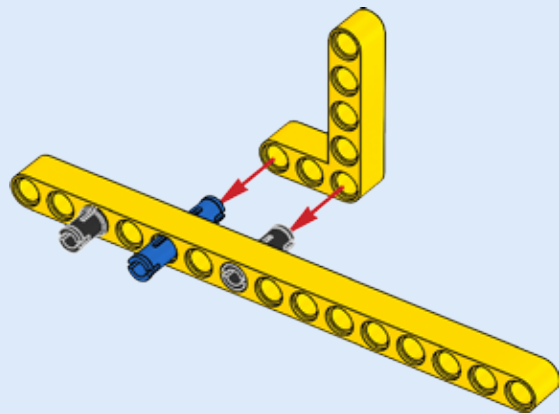


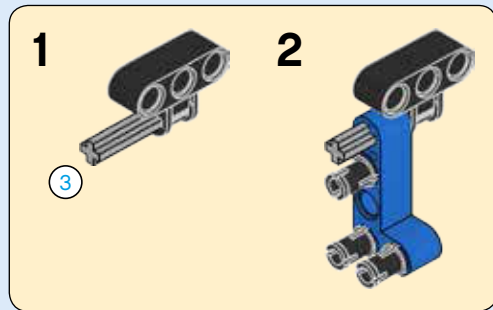
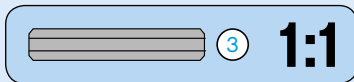
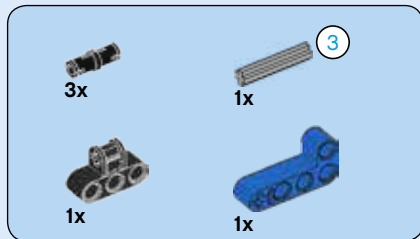


20

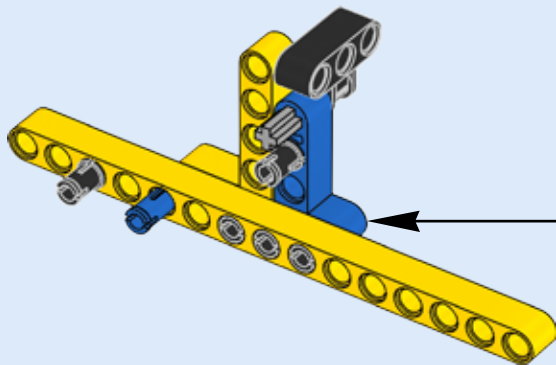


21

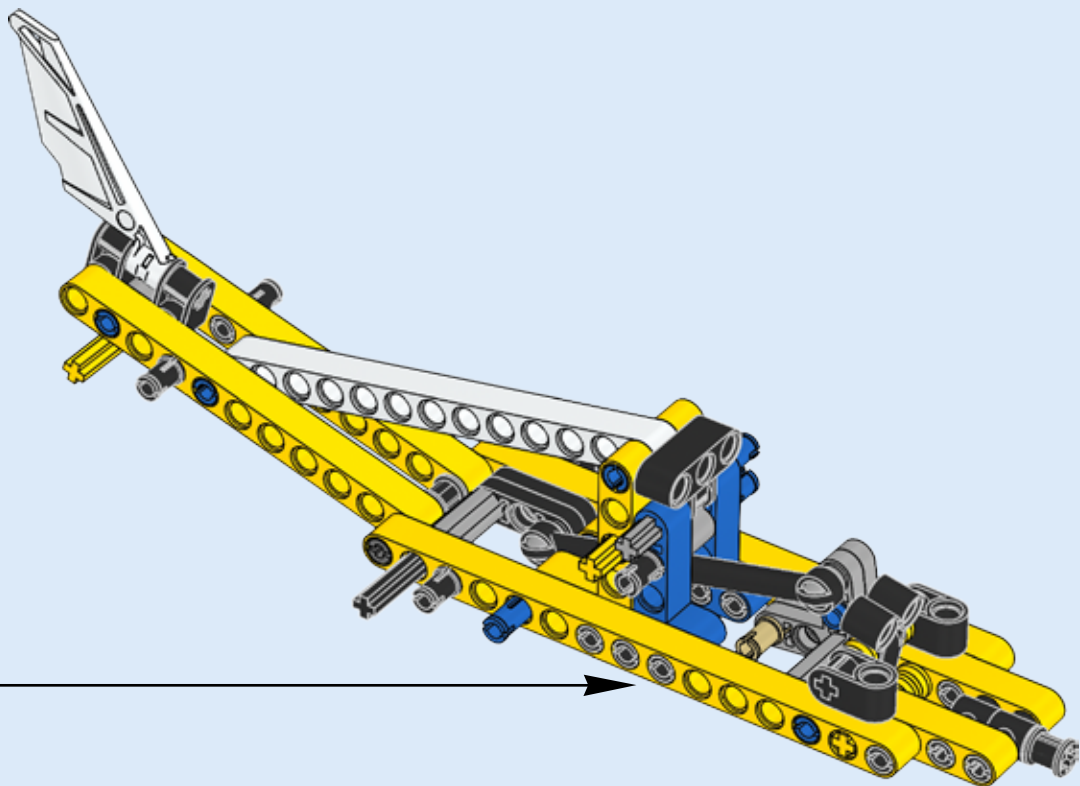


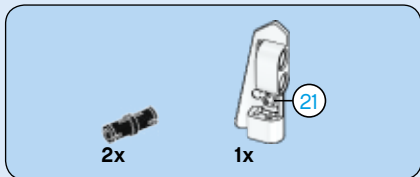


22

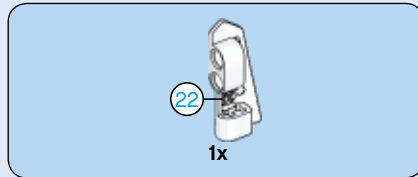
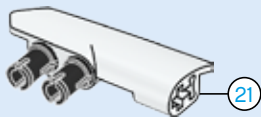


23

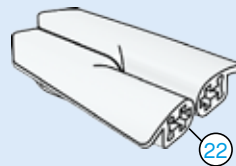




24



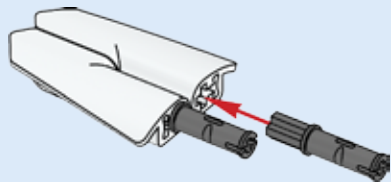
25





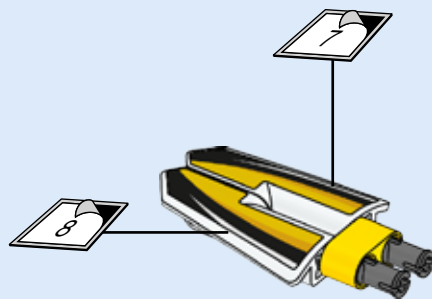
2x

# 26

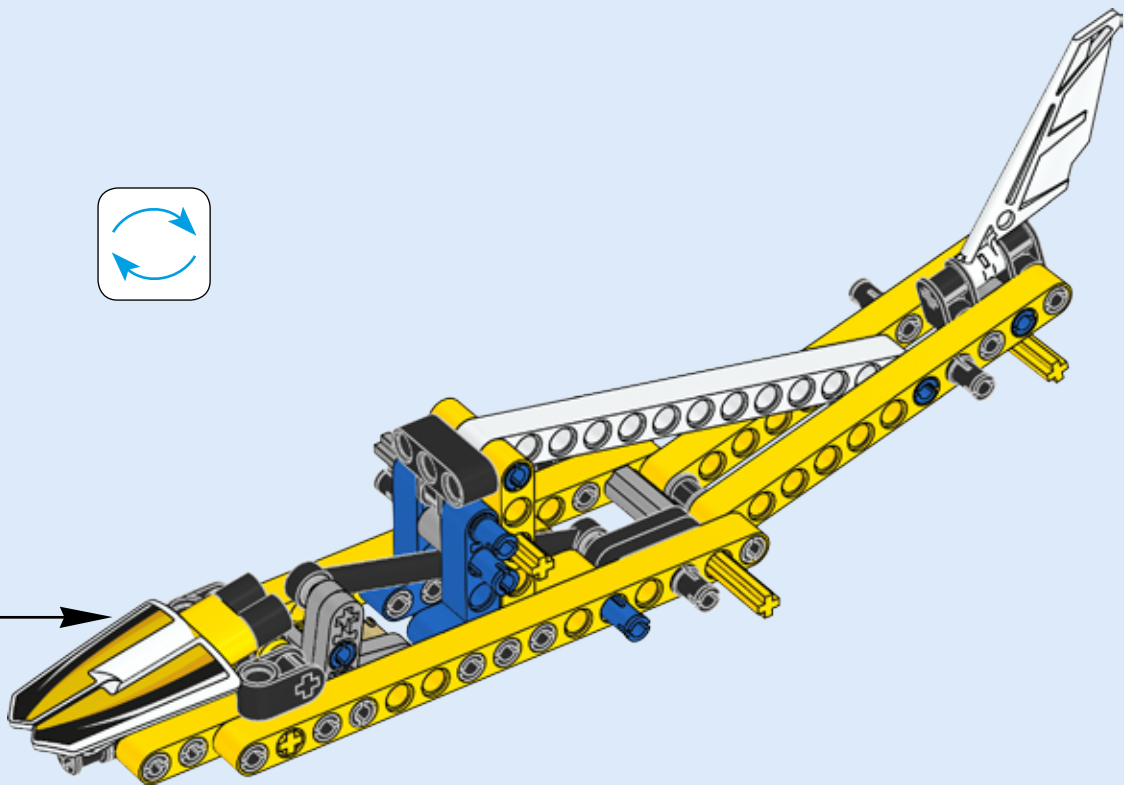
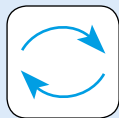


1x

# 27

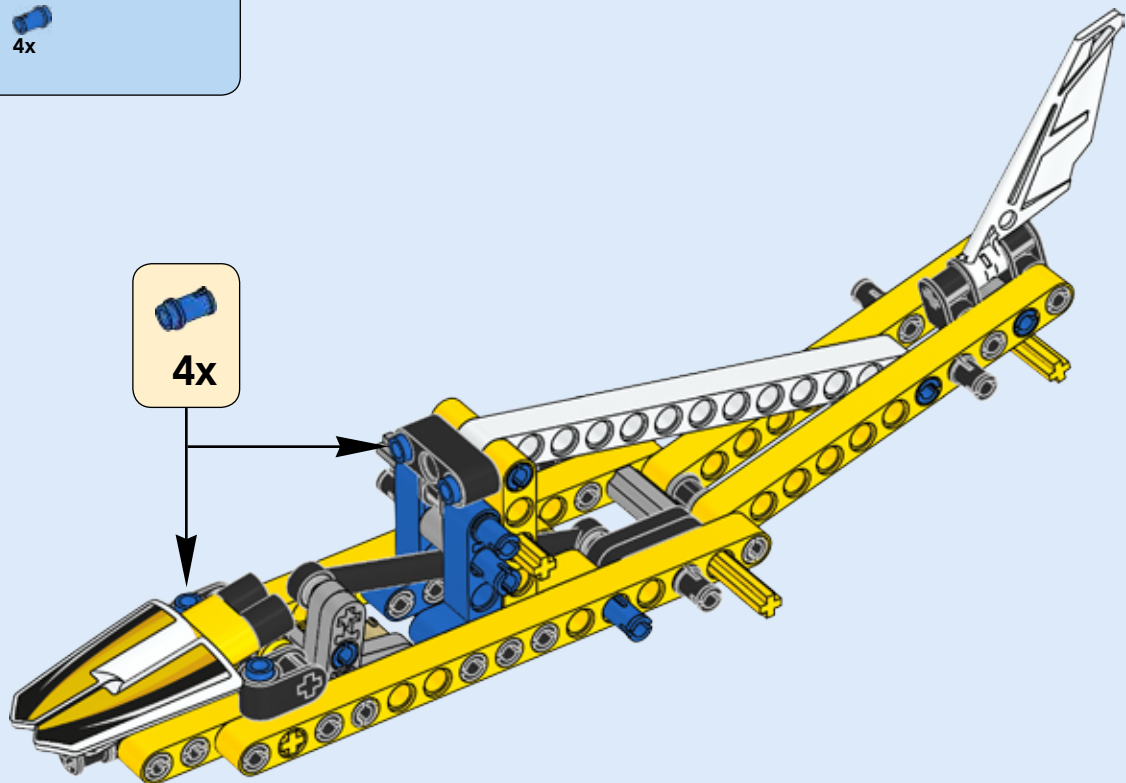


28





# 29

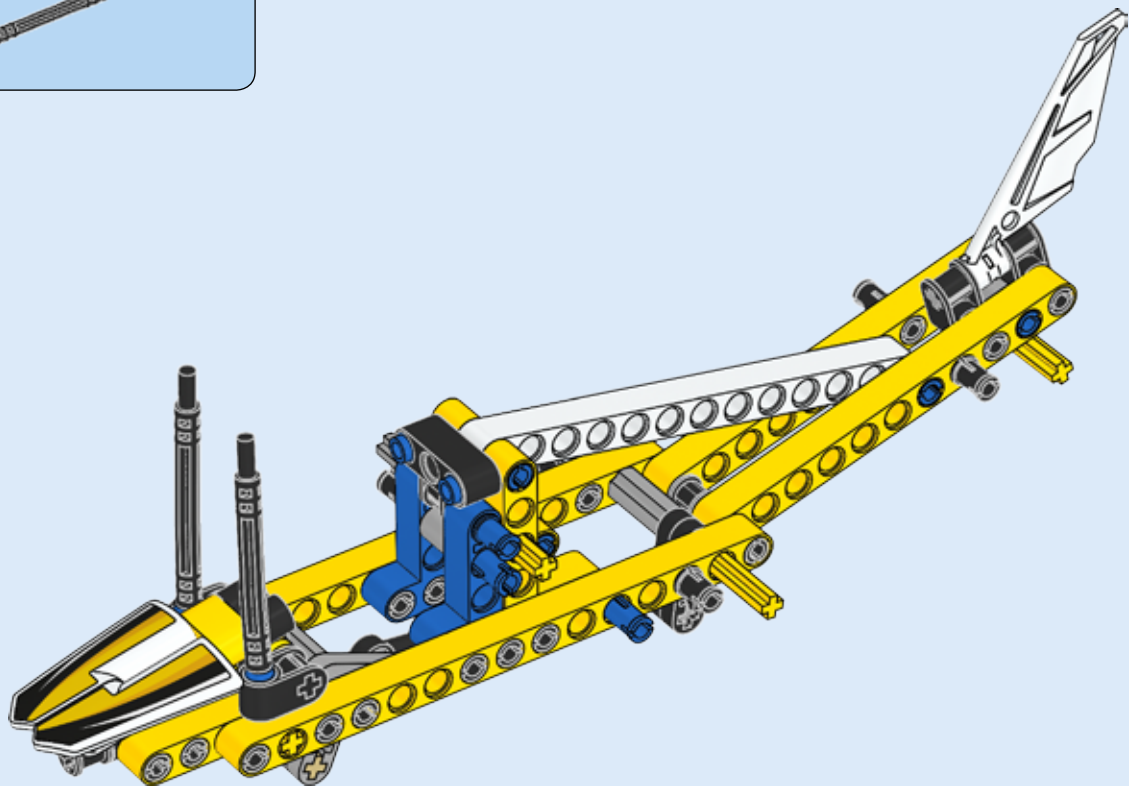




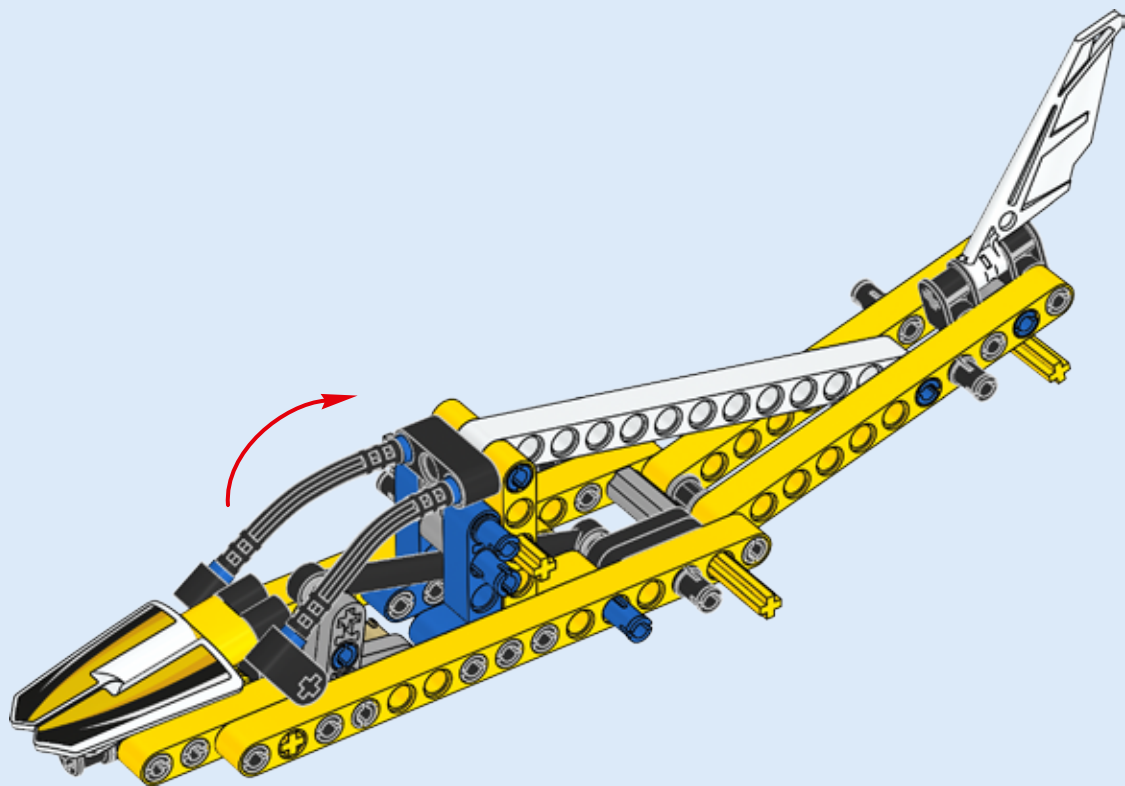


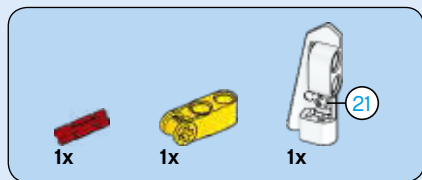
2x

# 30

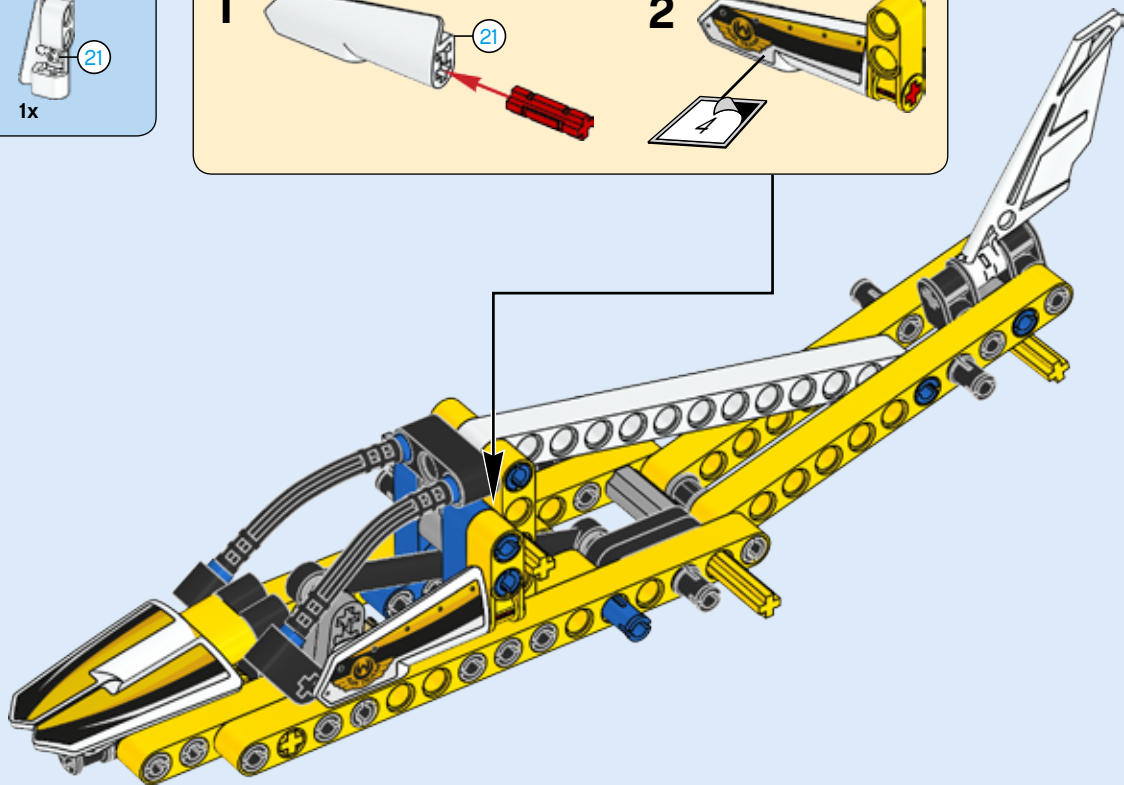
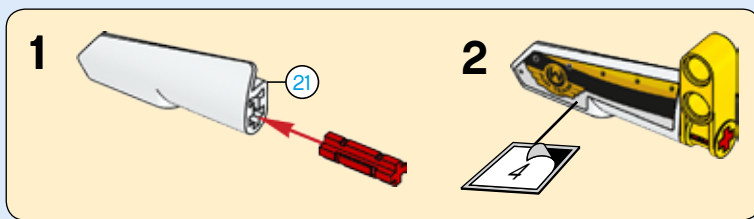


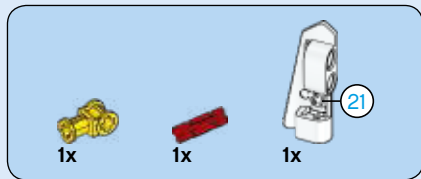
31



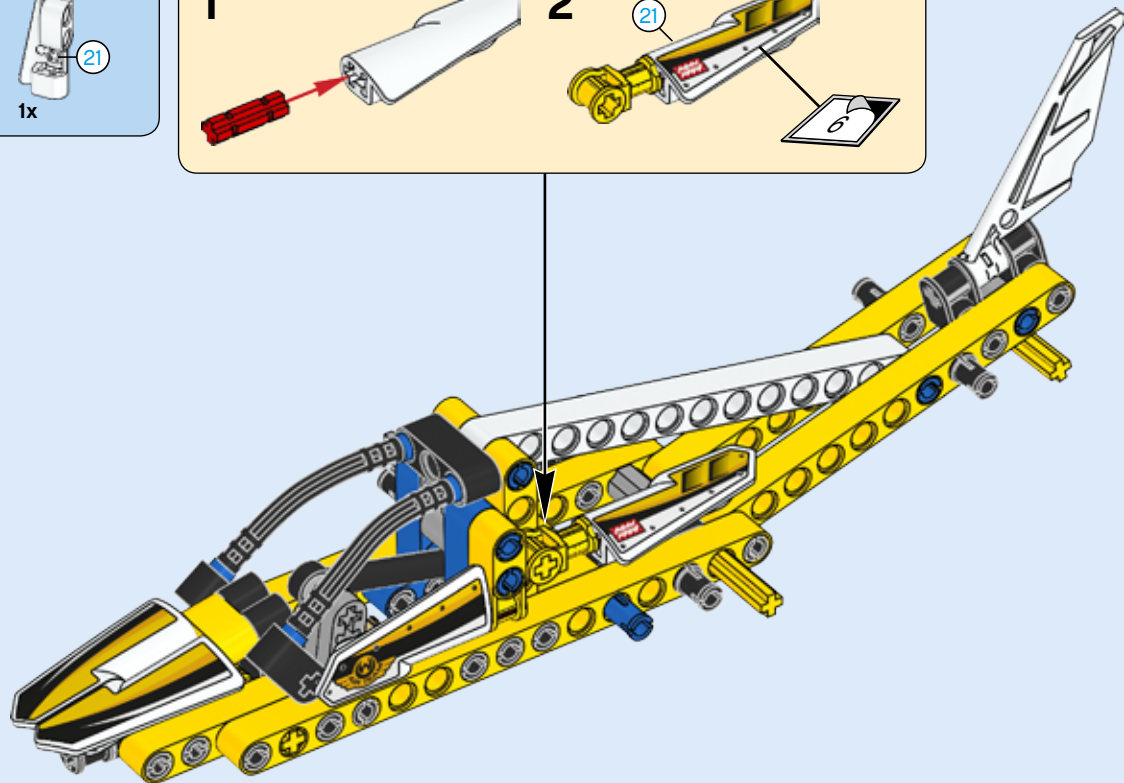
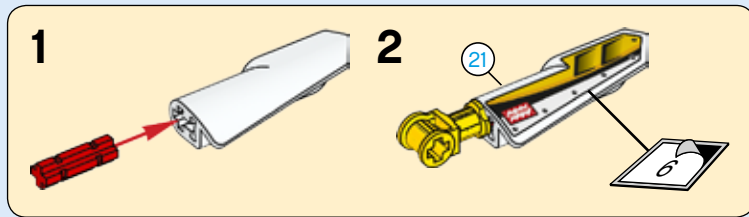


32



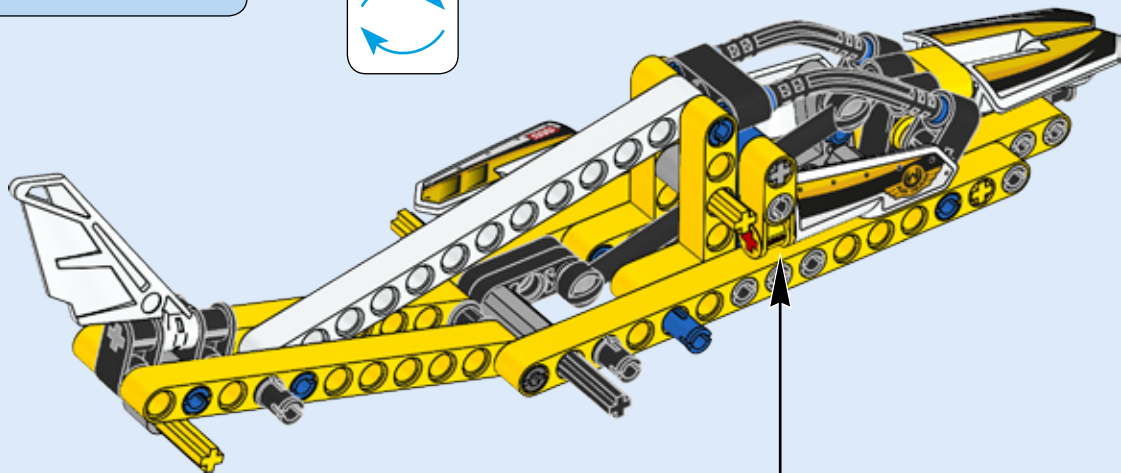
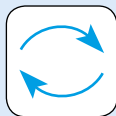


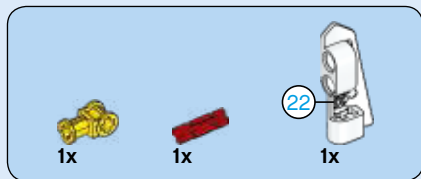
# 33



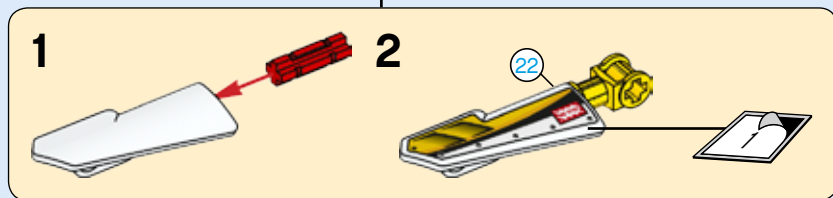
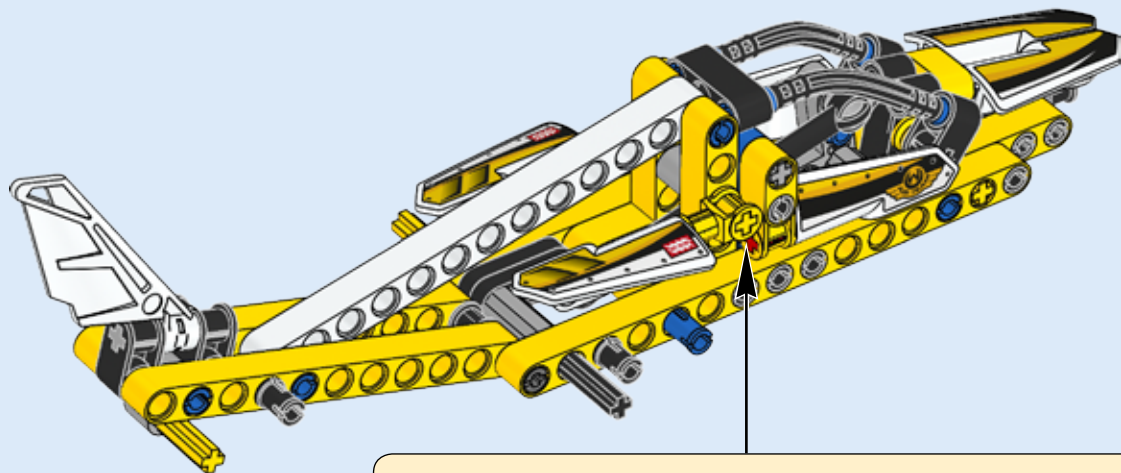


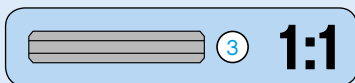
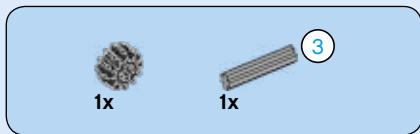
34



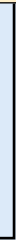
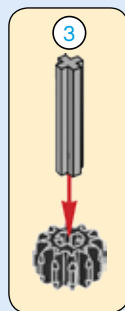
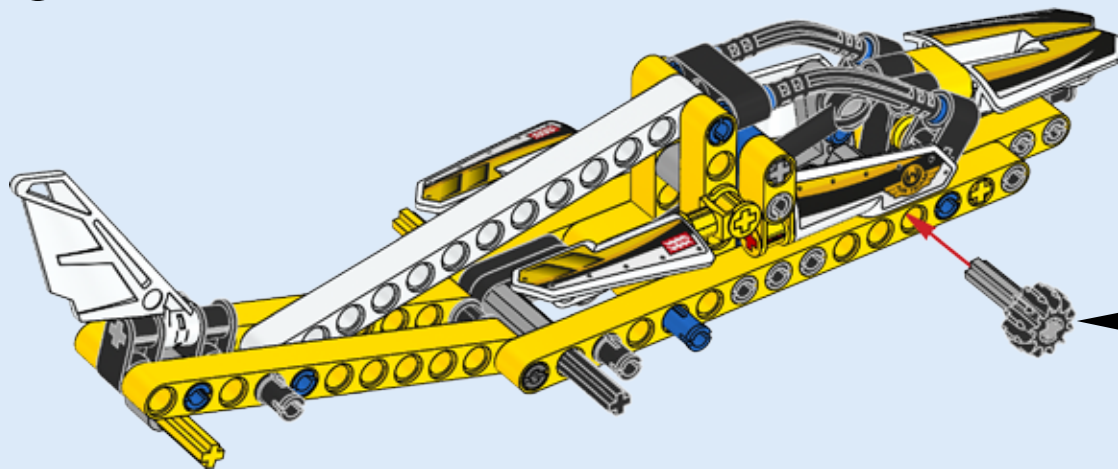


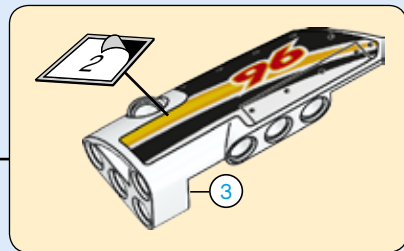
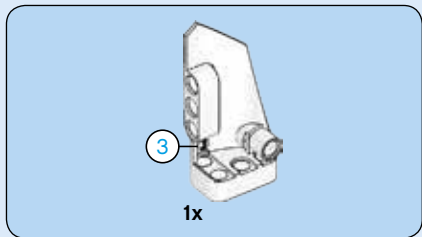
# 35



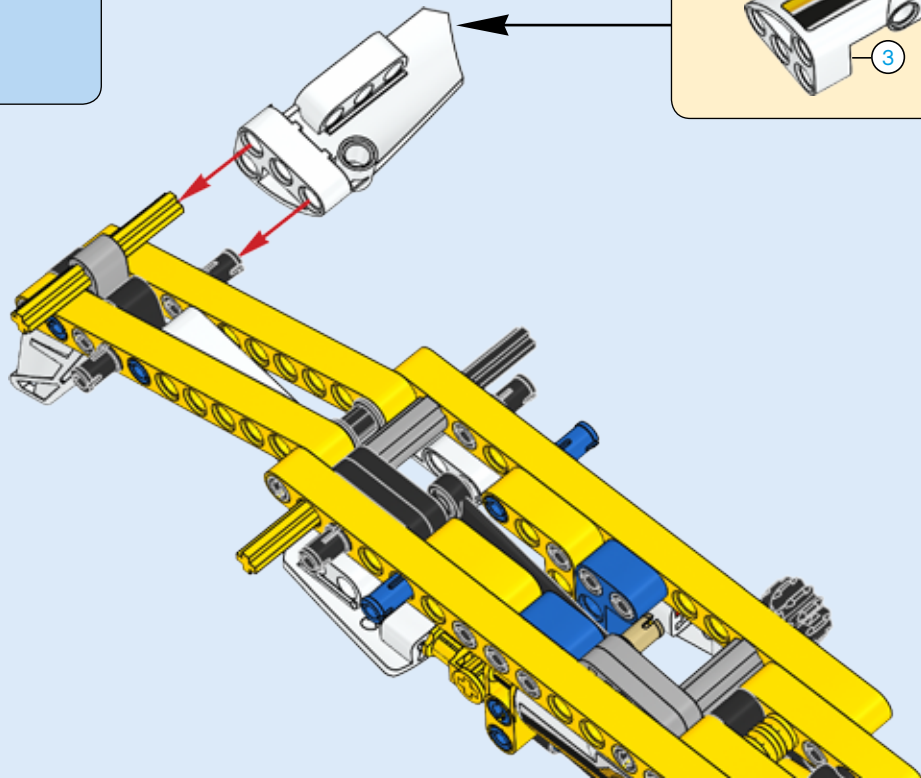
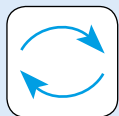


# 36

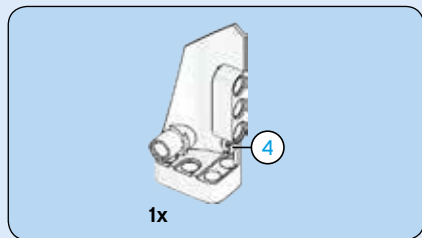




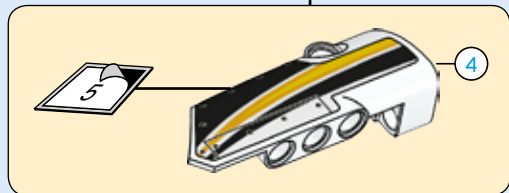
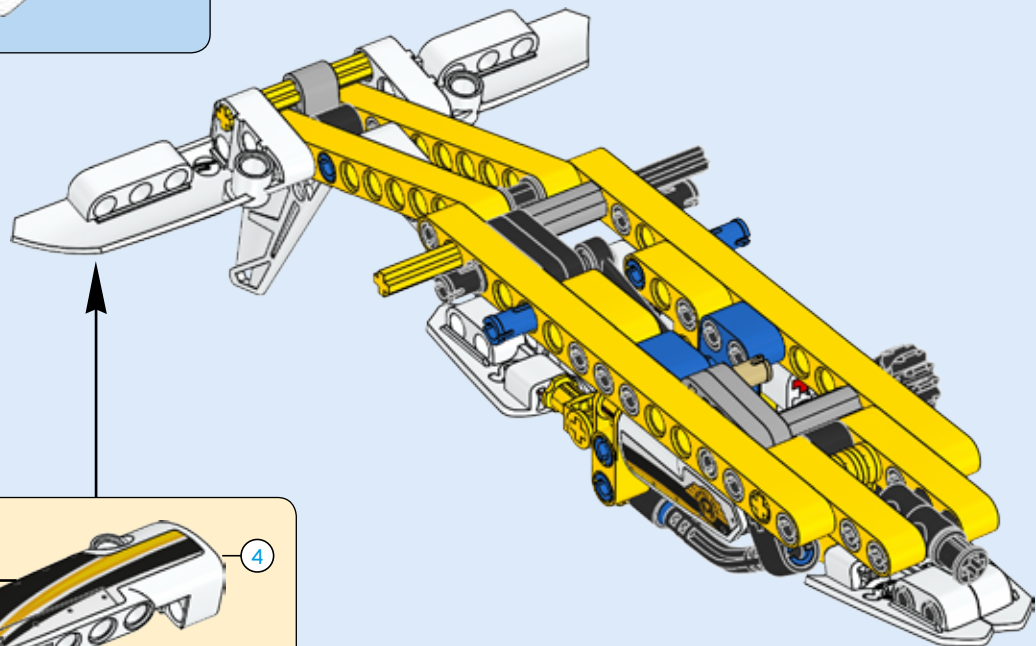
37

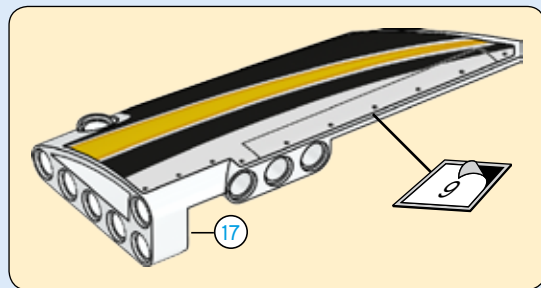
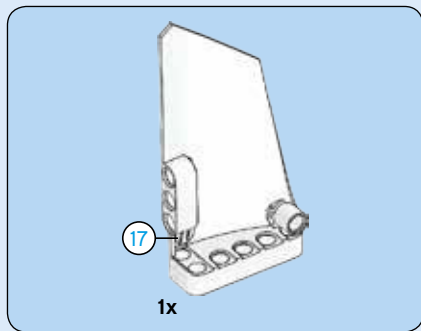




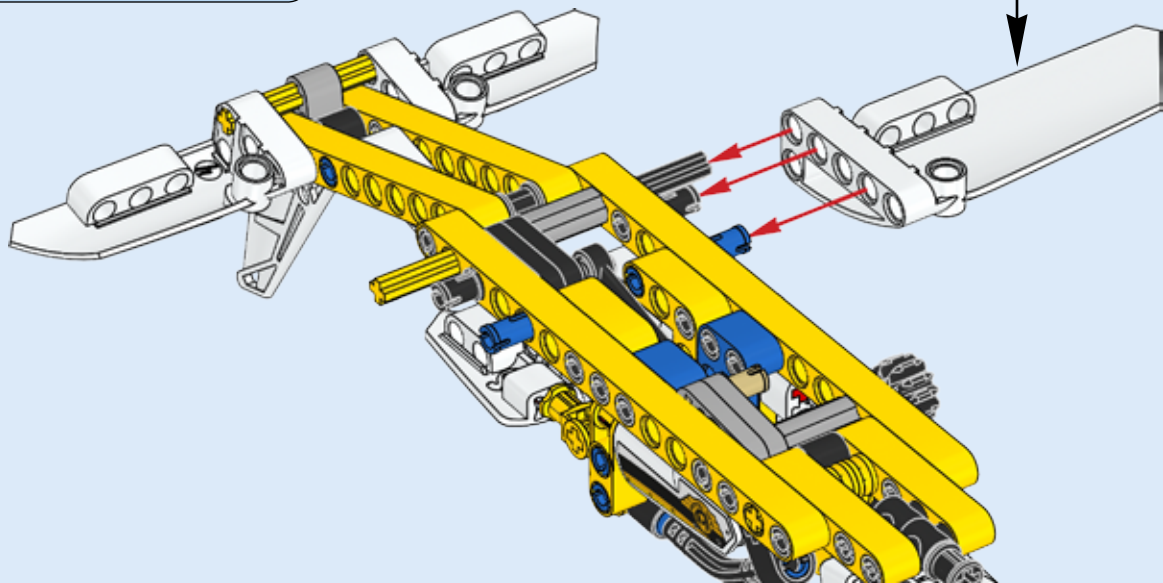


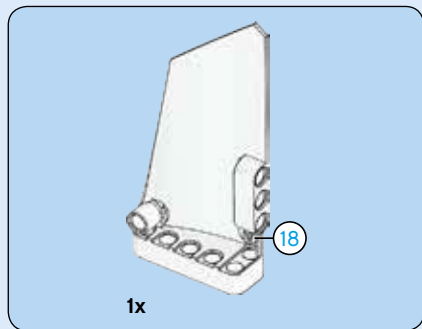
38



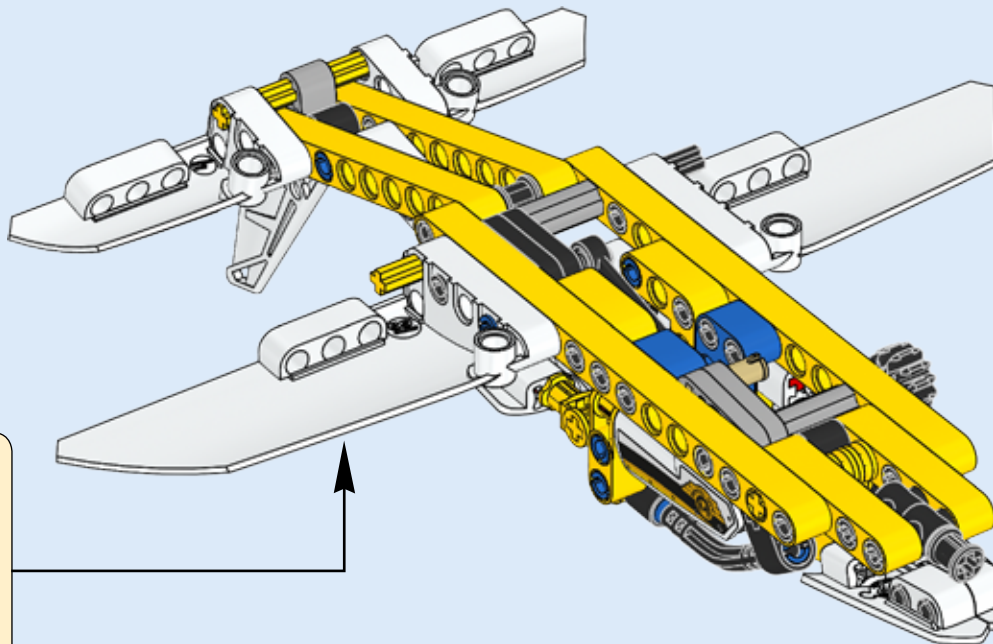
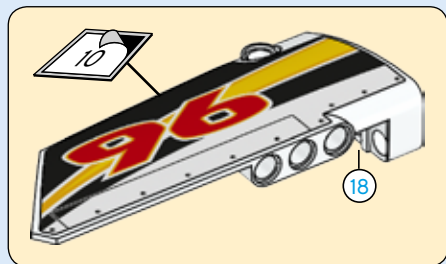


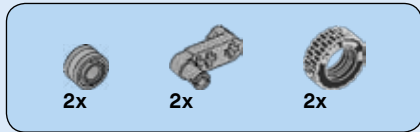
39



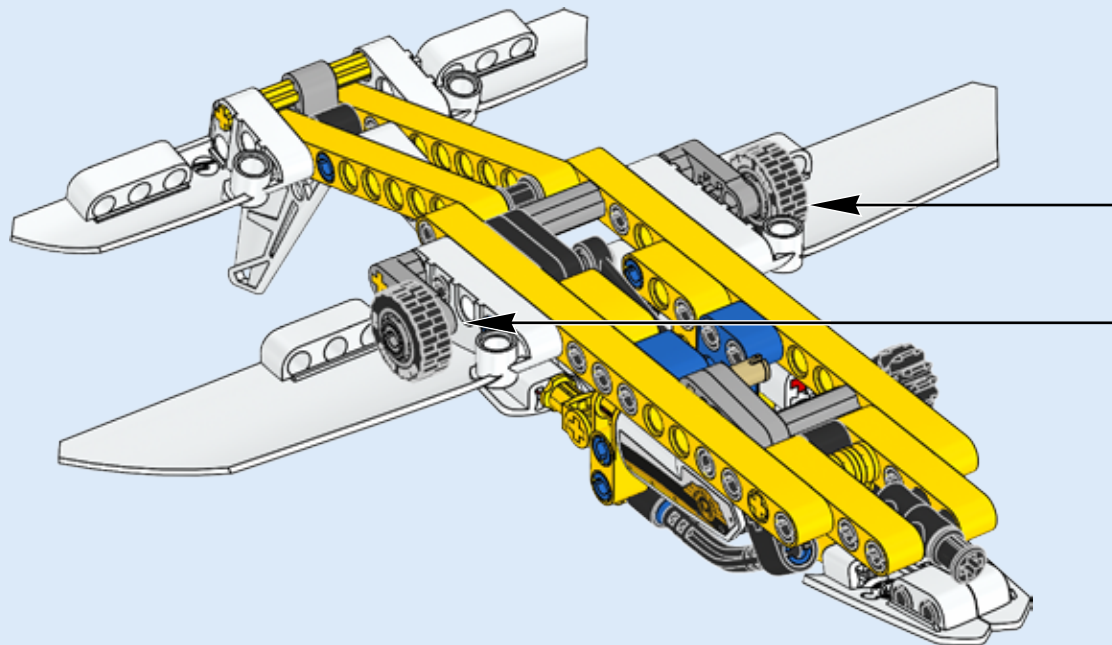
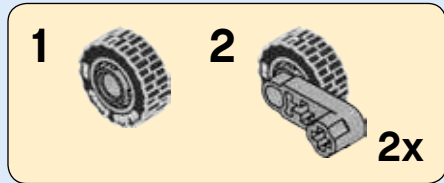


40





41



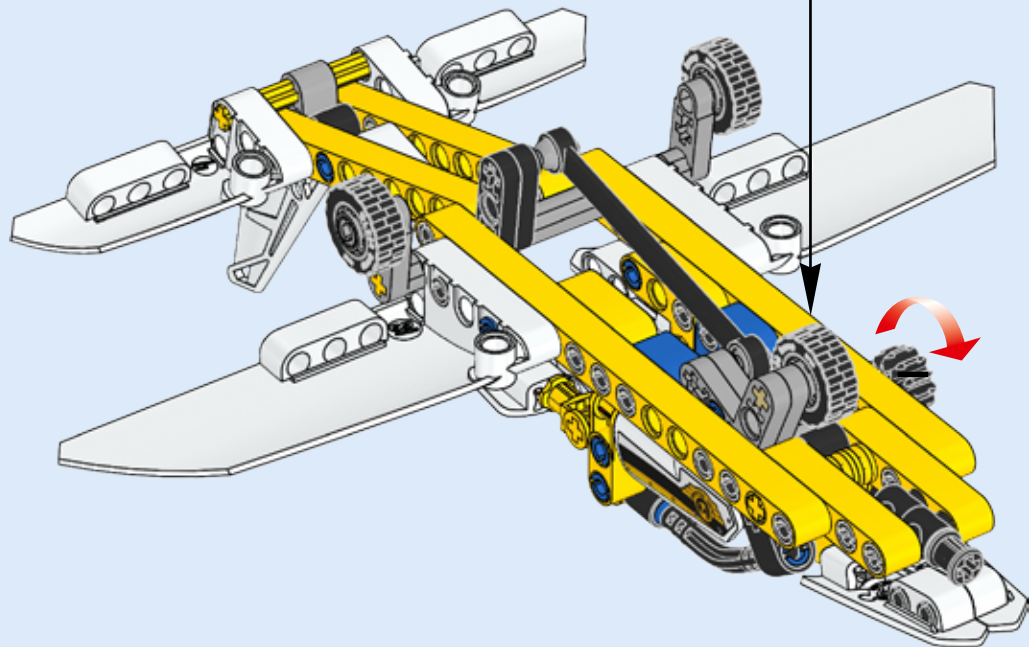


1x

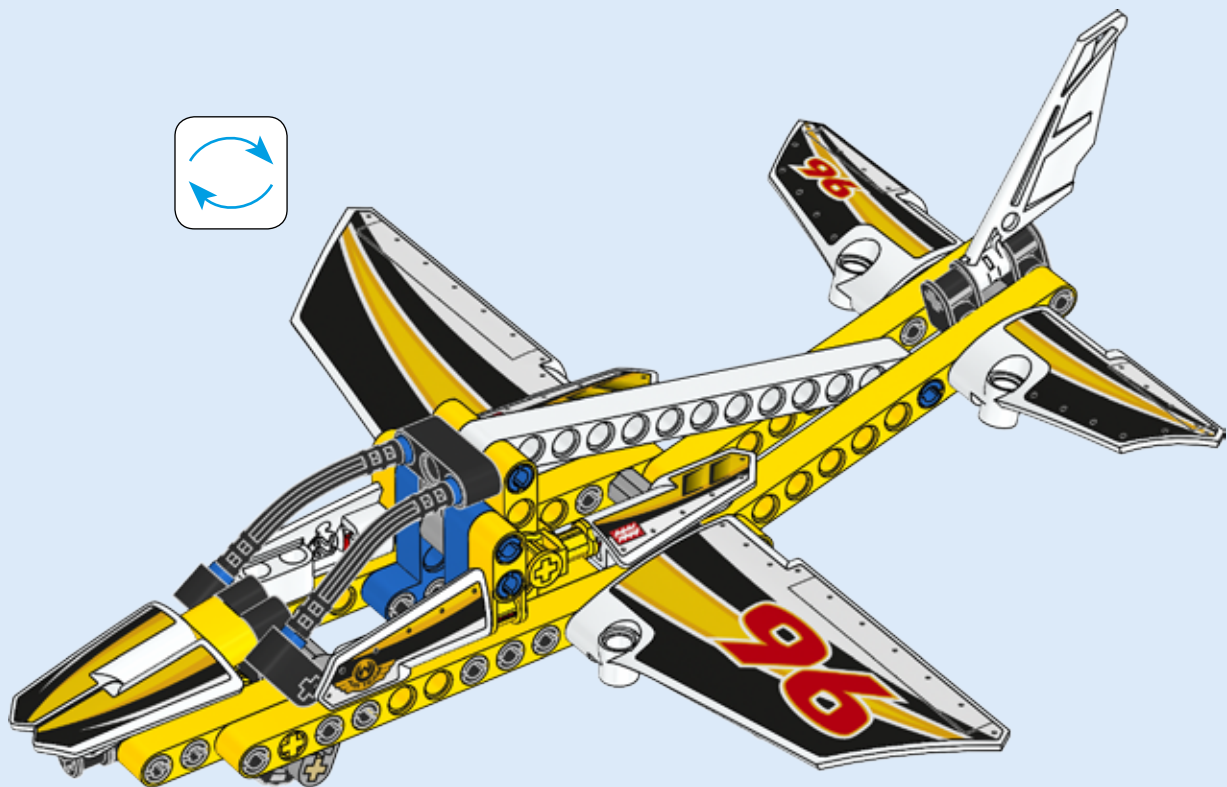
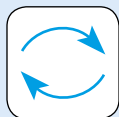


1x

# 42



43



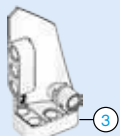
46



3x  
6114583



3x  
6114580



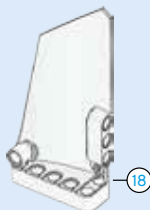
1x  
4547581



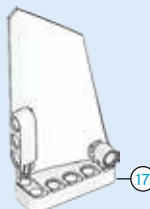
1x  
4547582



1x  
6056830



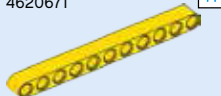
1x  
6023996



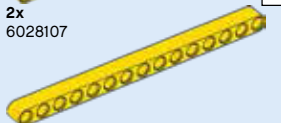
1x  
6023994



1x  
4620671



2x  
6028107



2x  
4542579



1x  
4206482



7x  
4514553



2x  
4168114



5x  
4143005



2x  
4144022



4x  
6130008



2x  
4142133



4x  
4239601



2x  
4107800



1x  
4187122



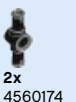
2x  
4175441



1x  
4666579



4x  
4142865



2x  
4560174



1x  
4177431



4x  
4173668



18x  
4121715



2x  
4107828



3x  
4617848



2x  
4140801



1x  
4143466



1x  
6089119



1x  
6007966



2x  
370526



2x  
6132744



1x  
4141300



3x  
4211758



2x  
4211375



2x  
4512360



2x  
6004888



2x  
4563045



2x  
4211574



3x  
4211815



3x  
6015356

Customer Service

Kundenservice

Service Consommateurs

Servicio Al Consumidor

LEGO.com/service or dial



: 00800 5346 5555

: 1-800-422-5346

# LEGO TECHNIC

42048



42049



42045



LEGO®  
Building  
Instructions



Google Play is a trademark of Google Inc.  
Google Play est une marque de commerce de Google Inc.  
Google Play es una marca comercial de Google Inc.

Apple, the Apple logo, iPad, iPhone and iPod touch are trademarks of Apple Inc.  
Apple, le logo Apple, iPad, iPhone et iPod touch sont des marques de commerce d'Apple Inc.  
Apple, el logotipo de Apple, iPad, iPhone e iPod touch son marcas comerciales de Apple Inc.

 [LEGO.com/technic](http://LEGO.com/technic)

LEGO and the LEGO logo are trademarks of the/son des marques de commerce du/son marcas registradas de LEGO Group. ©2016 The LEGO Group. 6143794 / 6143800