

Инструкция ЛЕГО (Lego) 31030-2



# CREATOR

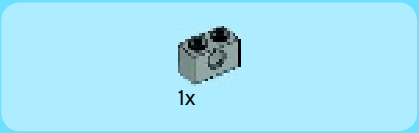
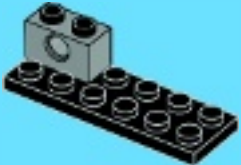
31030



[LEGO.com/creator](http://LEGO.com/creator)



1



2





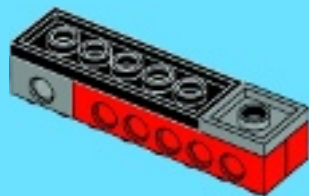
2x

3



1x

4





2x

5



2x

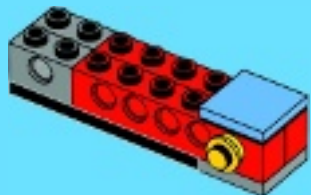
6





1x

7



2x

8





2x



2x

9



2x

10





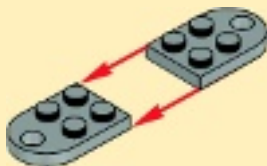
2x



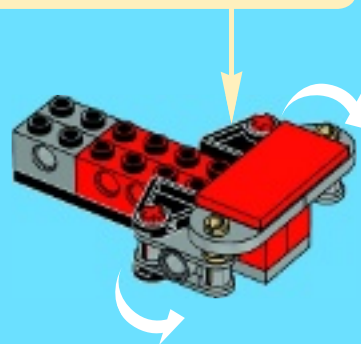
1x

# 11

1



2





2x



1x



2x

# 12

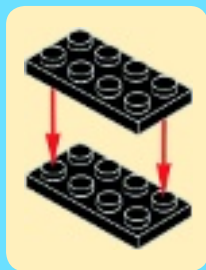


8



2x

# 13







1x

14



2x

15





1x

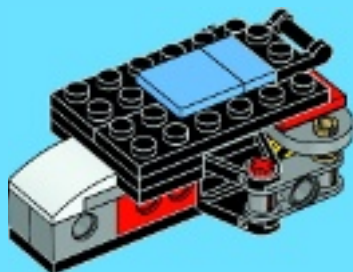


1x



1x

# 16





1x



1x



1x

# 17

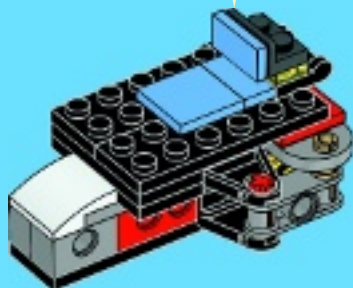
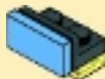
1



2



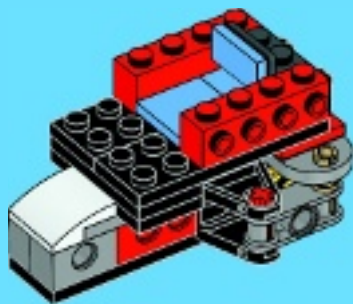
3





2x

18



12

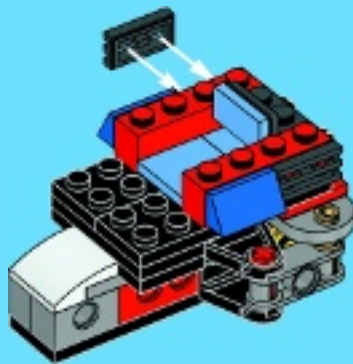


2x



2x

19



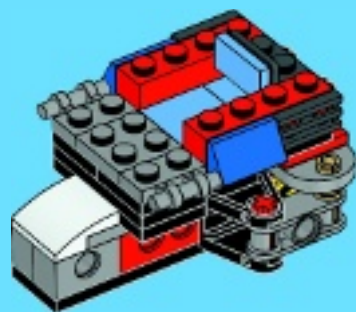


1x



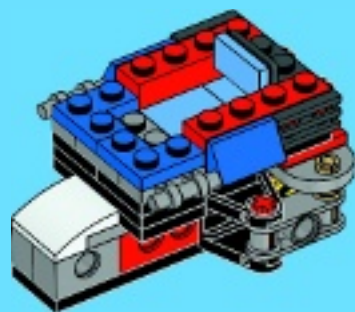
2x

# 20



2x

# 21





1x



2x



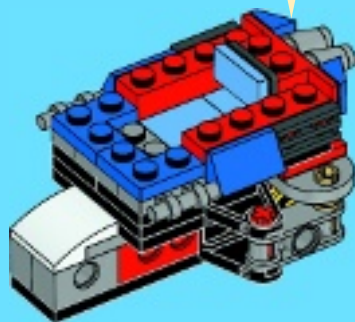
2x

# 22

1



2



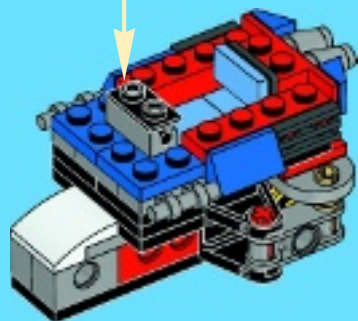
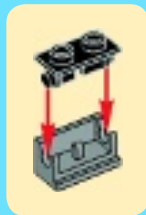


1x



1x

# 23



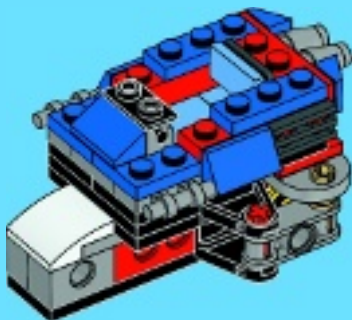


2x



1x

# 24

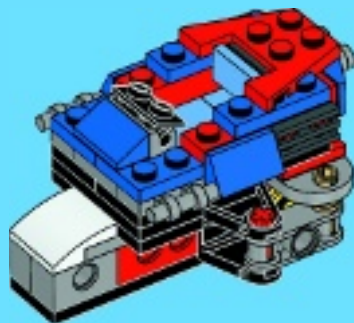






1x

25



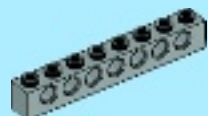
1x



2x

26



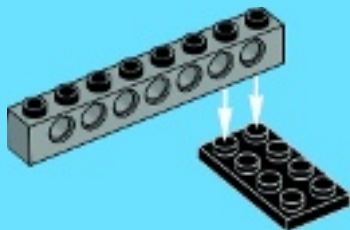


1x



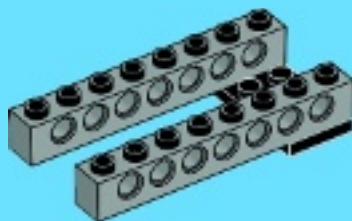
1x

1



1x

2





1x

3

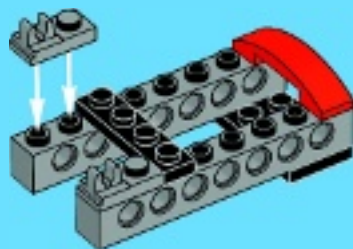


1x



2x

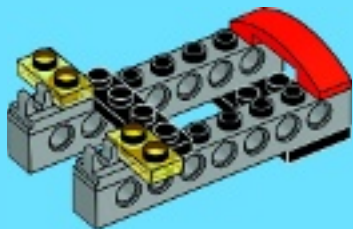
4





2x

5

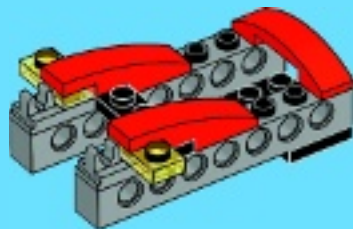


20



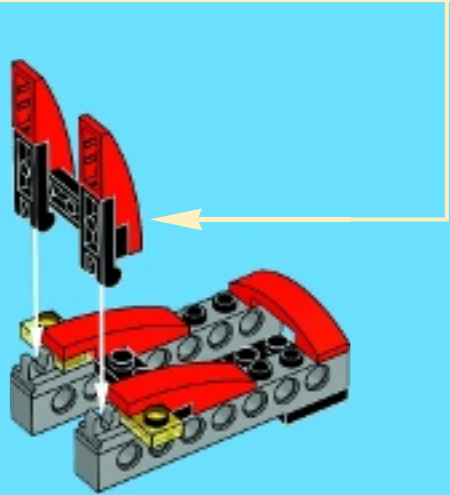
2x

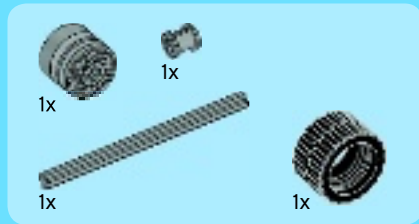
6





7





# 27

1

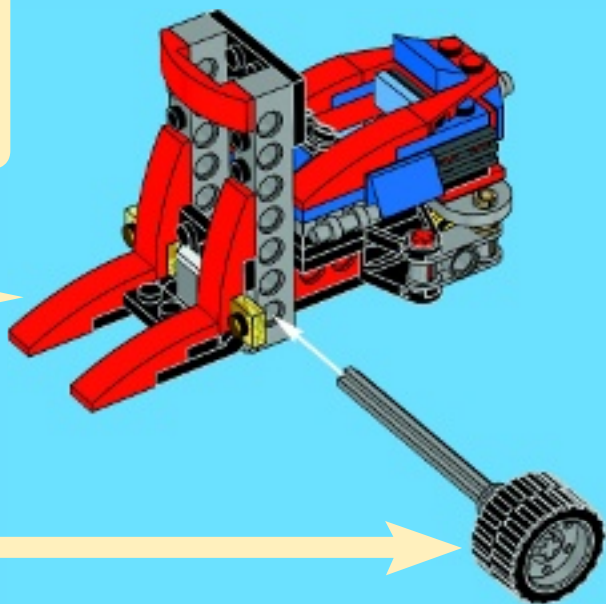
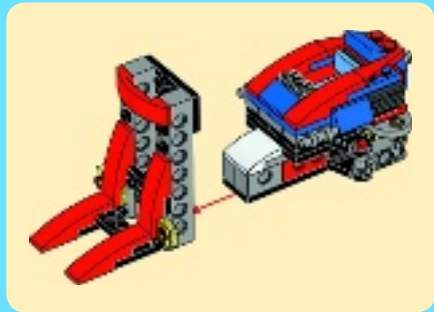


2



3

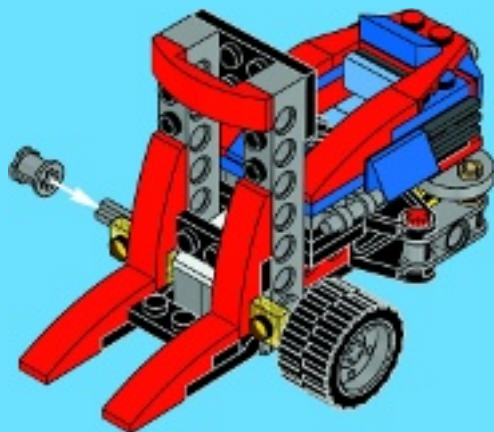






1x

28





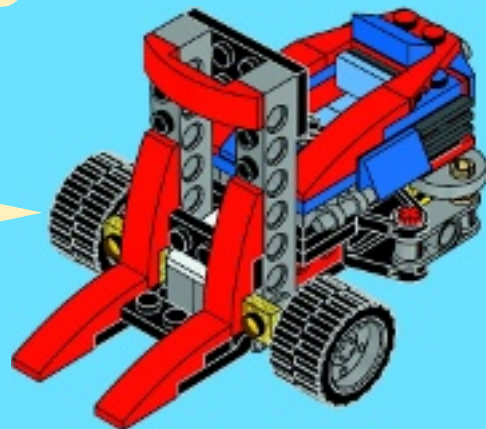


1x



1x

# 29





2x



2x



2x

# 30

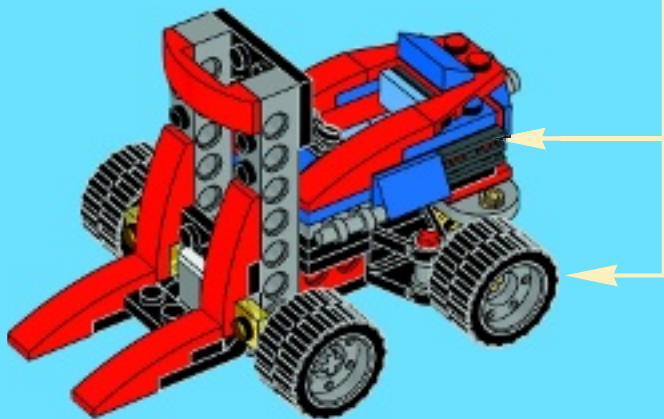
1



2



2x





# CREATOR



# CREATOR ISLANDS



Apple, the Apple logo, iPad, iPhone and iPod touch are trademarks of Apple Inc., registered in the U.S. and other countries. App Store is a service mark of Apple Inc./Apple, le logo Apple, iPad, iPhone et iPod touch sont des marques de commerce d'Apple Inc., déposées aux Etats-Unis et dans d'autres pays. App Store est une marque de service d'Apple Inc./Apple, el logotipo de Apple, iPad, iPhone e iPod touch son marcas comerciales de Apple Inc. registradas en EE. UU. y otros países. App Store es una marca de servicio de Apple Inc.

Google Play is a trademark of Google Inc./Google Play est une marque de commerce de Google Inc./Google Play es una marca comercial de Google Inc.

## LEGO.com/creator





# CREATOR

LEGO and the LEGO logo are trademarks of the/son des marques de commerce du/son marcas registradas de LEGO Group. ©2015 The LEGO Group. 6112325 / 6112326



31030



31031



31032



31033



[LEGO.com/creator](http://LEGO.com/creator)